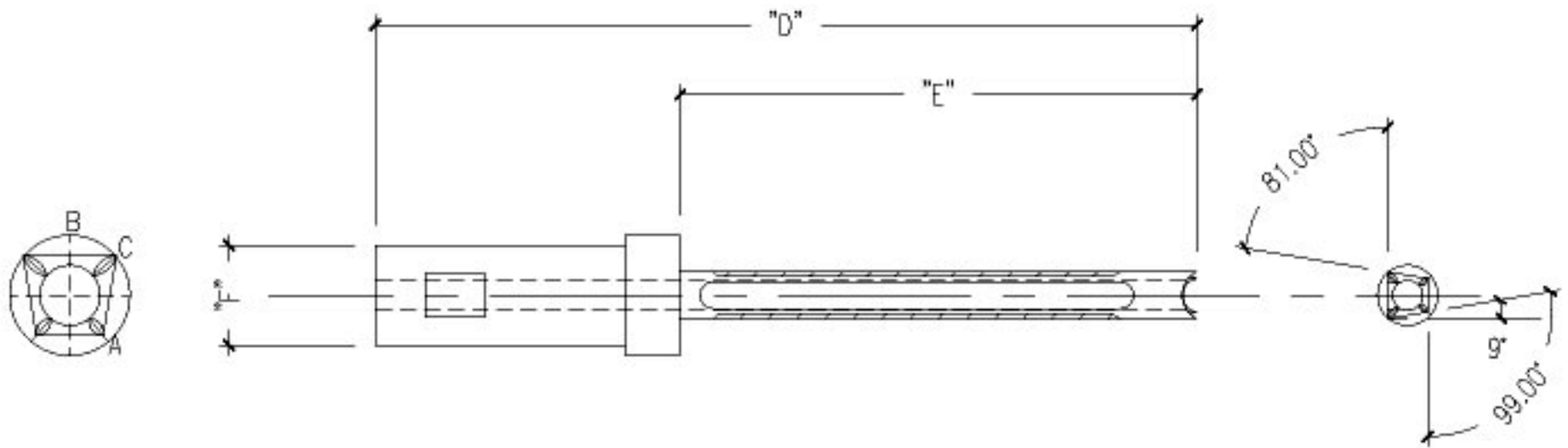


Dovetail Chisel Detail

TOLERANCES UNLESS NOTED
 FRACTIONS
 $\pm 1/64$ th
 .xx Tol $\pm .01$
 .xxx Tol $\pm .005$



A	B	C	D	E	F
.208	.25	.291	5.125	3.23	.624
.312	.375	.437	5.75	3.848	.624
.416	.50	.583	5.75	3.85	.624
.625	.750	.875	6.125	4.125	.624

O2 Tool Steel
 Hardend 62/66 Rockwell